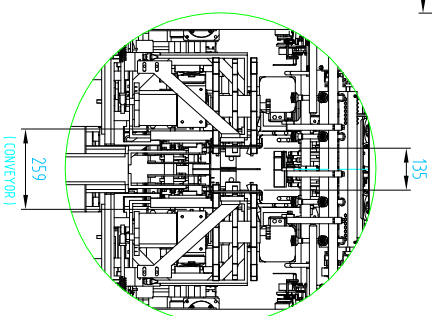
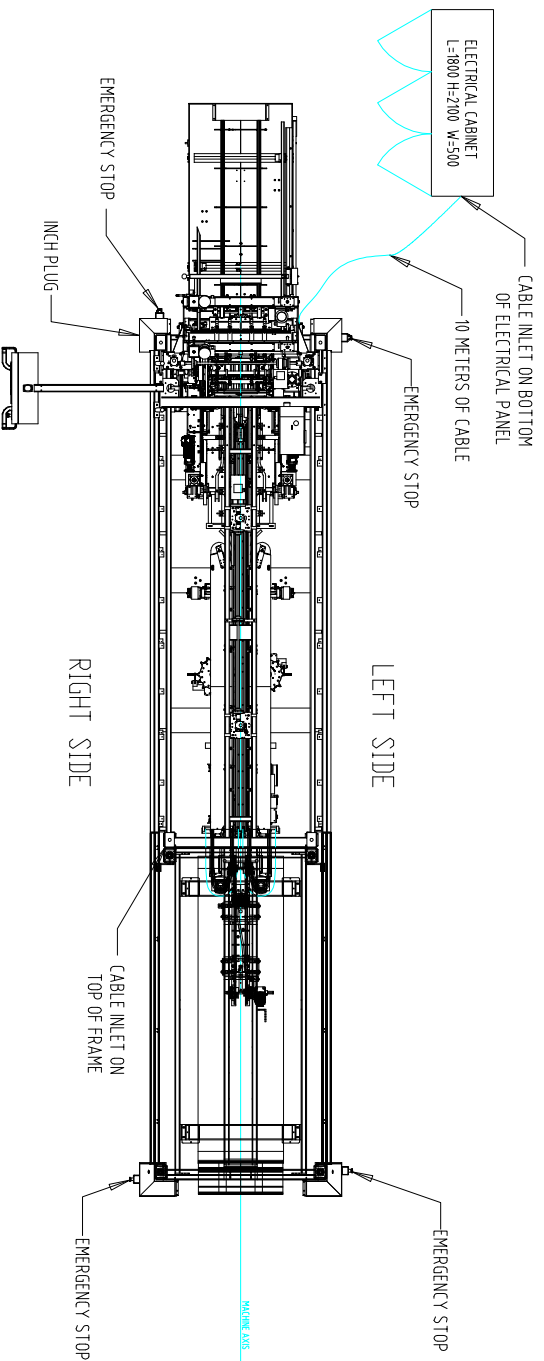
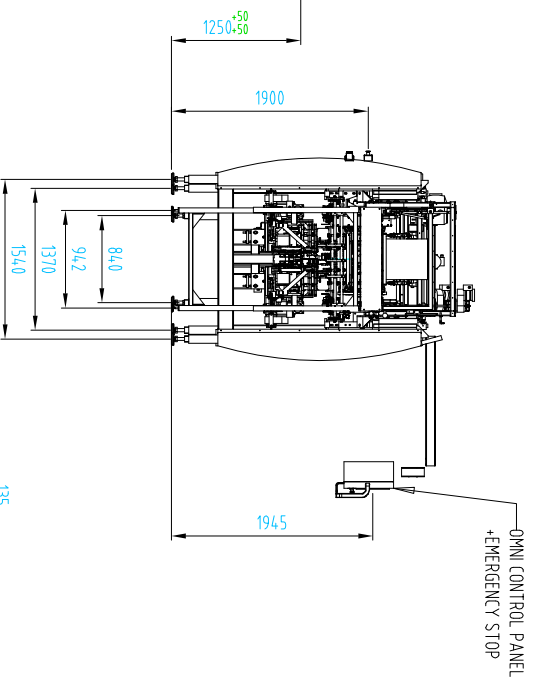
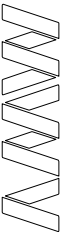


DISTANCE BETWEEN CUSTOMER CONVEYORS AXIS = 8272



POWER SUPPLY : 380V +N - 50Hz  
 POWER : 27 KVA  
 AIR SUPPLY : 6 BARS  
 AIR CONSUMPTION : 5 Nm<sup>3</sup>/h



Machinery & Automation  
 Atlanta, Georgia  
 Deols, France

1/1	EVOTECH	00/00	LAYOUT EVO 179	-B	Production	ASSEMBLY N°
SHEETS	MACHINE	SUB ASSEMBLY	TITLE	REVISION	RELEASE	ORIGIN